

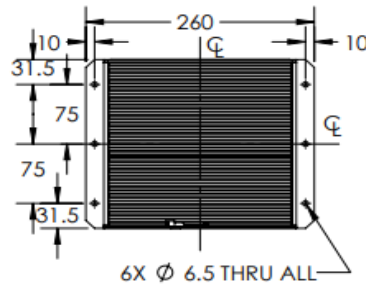
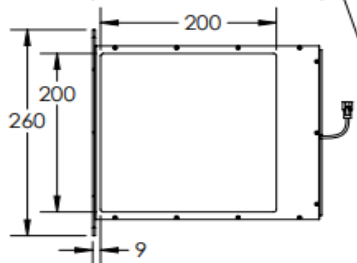
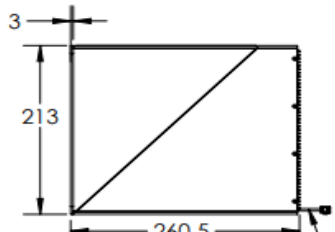
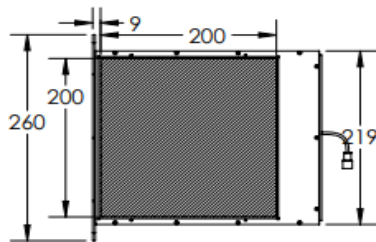


OPTO ENGINEERING

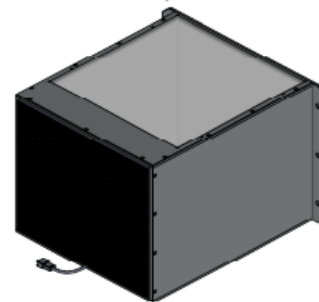
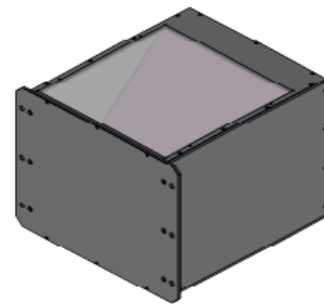
# ILLUMINATOR DATA

## LT3Q0G200-00-X-B-24V

### Lighting Dimension



24V CONNECTOR  
50CM CABLE



### Mechanical Information

Casing Material	Aluminium
Storage Temperature Range	0 - 45°C
Storage Humidity Range	20 - 85%
Weight	3200 g
Length / Outer Diameter	260.5 mm
Width / Inner Diameter	219 mm
Thickness / Height	213 mm



OPTO ENGINEERING

# ILLUMINATOR DATA

## LT3QOG200-00-X-B-24V

Lighting Information			
Part Number	LT3QOG200-00-X-B-24V		
LED Color	BLUE		
Wavelength	450nm		
Working Distance	100 mm	110 mm	120 mm
Intensity ( $\pm 15\%$ )	TBA	TBA	TBA
Illumination (number of row)	X		
Illumination Active Area	Active Length / Outer Dia.	200 mm	
	Active Width / Inner Dia.	200 mm	
Emission angle	0		
Eye Safety Class ( IEC62471 )	II		
Chromaticity Table For White colour only	Nil		

Electrical Information	
Rated Constant Voltage	24V $\pm 2\%$
Rated Constant Current	1584 mA
Power Consumption	38.02 W
Casing temperature, After 60 minutes operation	65.1 °C

Strobe Mode Specification		
*Normal Strobe Voltage	24 V	
*Normal Strobe Current	1584 mA	
Overdrive Voltage Range	Min: 36V	Max: 48V
Overdrive Current Range	Min: 3.86 A	Max: 6.48 A
Recommended Overdrive Voltage	36V	
**Max. Trigger Pulse Duration	10 msec	
**Max. Duty Cycle	10%	

\*Normal strobe means the lighting is operated using the rated power. Overdrive means the power supplied to the lighting exceeded the rated power.


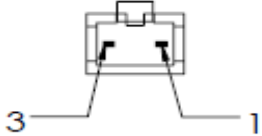
\*\*Overdrive condition must not exceed the max. trigger pulse duration and max. duty cycle.



OPTO ENGINEERING

# ILLUMINATOR DATA

## LT3Q0G200-00-X-B-24V

Connection Information			
Connector Type (Default)	JST SMR-03V		
Cable Length	50 cm		
Pin Configuration 	Pin	Signal	Cable Colour
	1	LED +	Red
	2	N.C	-
	3	LED -	White
			

Additional Information	
Additional Cooling Method	Attached to machine part for better heat dissipation
Intensity Controller Selection	SD, ST, ANG, LC, SDA, SDP series
CE Conformity	YES
RoHS Compliance	YES

Application	
Illumination Type	Coaxial Illumination
Application Use	Surface Inspection and Alignment, Wafer and Metal Surface Inspection, Film, LCD and Glass, Pattern on PCB Inspection.



OPTO ENGINEERING

# ILLUMINATOR DATA

## LT3Q0G200-00-X-B-24V

Lighting Pattern				
Working Distance	For further details please contact us.			
Display and Image				
Data Results	Horizontal	Meas.(mm)	Vertical	Meas.(mm)
	90%		90%	
	80%		80%	
	70%		70%	
	60%		60%	
	50%		50%	
	40%		40%	
	30%		30%	
	20%		20%	
	10%		10%	